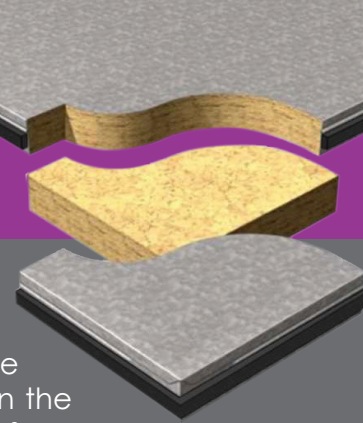


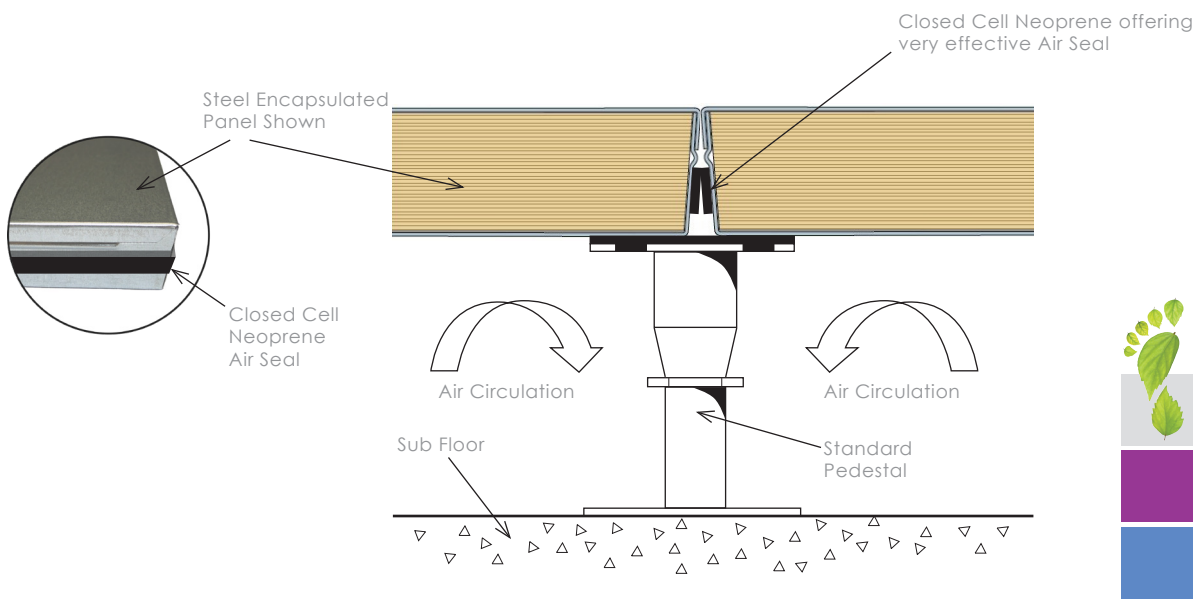
Steel Encapsulated Panel with Air Seal Gasket

The Air Seal gasket can be applied to any Steel Encapsulated or Edge Banded Permaflor Panel where the Void or Plenum of the floor is going to be used as a vehicle to transport air. As the Permaflor Panels are extremely dimensionally accurate, when the panels are laid, the Closed Cell Neoprene gasket has an interference fit and seals the void stopping unwanted leaks through the joints.



Pressure, Pa	Air Leakage Rate of Field Floor, l/s.m ²			
	Medium Grade 31mm Thick Panel Full Steel Encapsulated Chipboard Core			
	Without Carpet	With Loose Lay Off Grid Carpet	With Off Grid Carpet and Tackifier	With Permaflor Air Seal No Carpet
15	0.68	0.68	0.01	N/A
25	1.16	1.07	0.06	N/A
40	1.47	1.41	0.08	N/A
50	1.83	1.68	0.1	0.1
75	2.46	2.32	0.15	N/A
Test Area m ²	29.16	28.8	28.8	36

Air Seal Solution for Plenum Floor



Permaflor
access flooring solutions

The first choice for access flooring systems

For more information call
01432 347 722
sales@permaflor.co.uk