

Class O Perimeter Expansion Gasket Tape

Rolls of 20mm wide x 9mm thick x 10lm

A fully tested to Class 'O' spread of flame self adhesive Expansion Gasket Tape is used to abut the perimeter wall to provide an air tight fit to the wall without damaging the wall or panel. Provides stability for the whole floor as well as excellent air leakage properties for plenum floors.

The Foam Gasket is manufactured in the UK for complete piece of mind using PVC/Nitrile closed cell Foam.

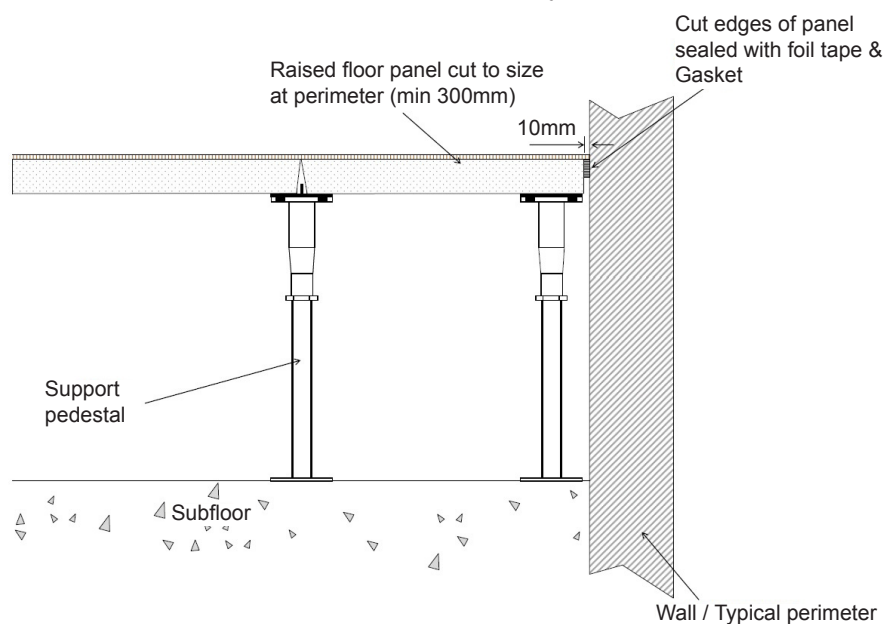
Insulation Foams: PVC/Nitrile – Class 'O' foam

Class 'O' foam sheeting is an elastomeric Nitrile rubber that offers protection against condensation and energy loss. The material is of a closed cell structure, has excellent resistance to the effects of ozone, oils, chemicals and tested in accordance with BS476 part 6 and 7 (Surface spread of flame and fire propagation).

The advantages of specifying CF21 Class 'O' Foam

- Excellent resistant to oils and chemicals
- Excellent resistant to UV and ozone
- Good temperature range (-50 °C + 105 °C)
- Tested in accordance with UL 94
- Tested to BS476 Part 6 and 7 (surface spread of flame and fore propagation)
- Good acoustic Insulation
- Self adhesive on one side

Supplied individually for the specified project or in box quantities of 17.



Permaflor
access flooring solutions

The first choice for access flooring systems

For more information call:

01432 347 722

sales@permaflor.co.uk